

## DS-2CE16D8T-(A)IT3Z 2 MP Ultra Low-Light VF EXIR Bullet Camera



### Key Features

- 2.0 megapixel high-performance CMOS
- HD analog output, up to 1080p resolution
- 2.8 mm to 12 mm motorized vari-focal lens
- True Day/Night
- 120 dB true WDR
- OSD menu, DNR, Smart IR
- EXIR 2.0, up to 40 m IR distance
- IP67
- Up the Coax (HIKVISION-C)



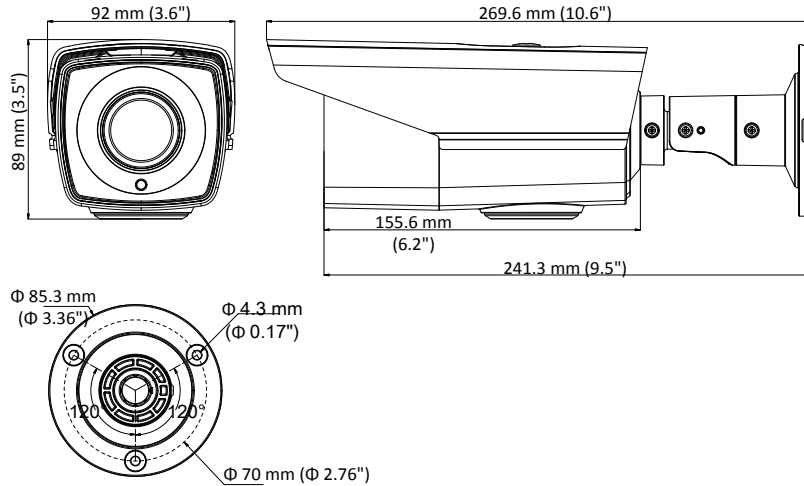
## Specification

<b>Camera</b>	
Image Sensor	2.0 megapixel progressive scan CMOS
Signal System	PAL/NTSC
Frame Rate	PAL: 1080p@25fps NTSC: 1080p@30fps
Resolution	1920 (H) × 1080 (V)
Min. illumination	Color: 0.005 Lux @ (F1.8 AGC ON), 0 Lux with IR
Shutter Time	PAL: 1/25 s to 1/50, 000 s NTSC: 1/30 s to 1/50, 000 s
Slow Shutter	Max. 16 times
Lens	2.8 mm to 12 mm motorized vari-focal lens
Horizontal Field of View	32.1° to 103°
Lens Mount	Φ14
Day & Night	IR cut filter
Angle Adjustment	Pan: 0° to 360°, Tilt: 0° to 90°, Rotate: 0° to 360°
Synchronization	Internal synchronization
WDR (Wide Dynamic Range)	> 120 dB
<b>Menu</b>	
AGC	Support
Day/Night Mode	Auto/Color/BW (Black and White)
White Balance	ATW/MANUAL
Privacy Mask	ON/OFF, 4 programmable privacy masks
Motion Detection	4 programmable motion areas
Backlight Compensation	WDR/BLC/HLC/OFF
3D DNR (Digital Noise Reduction)	On
Language	English, Chinese
Functions	Brightness, Sharpness, Mirror, Smart IR
<b>Interface</b>	
Video Output	1 HD analog output
<b>General</b>	
Operating Conditions	-40 °C to 60 °C (-40 °F to 140 °F), humidity: 90% or less (non-condensation)
Power Supply	12 VDC ± 25% -A: 12 VDC ± 25%, 24 VDC ± 25%
Power Consumption	Max. 9W
Ingress Protection	IP67
Material	Metal
IR Range	Up to 40 m
Communication	Up the coax, Protocol: HIKVISION-C (TVI output)
Dimensions	92 mm × 89 mm × 269.6 mm (3.62" × 3.5" × 3.34")
Weight	Approx. 900 g (1.98 lb.)

## Order Models

DS-2CE16D8T-IT3Z; DS-2CE16D8T-AIT3Z

## Dimension



## Accessory



DS-1280ZJ-S  
Junction Box



DS-1275ZJ  
Vertical Pole Mounting Bracket



DS-1H18  
Video Balun

Distributed by

✉ [ventas@rosarioseguridad.com.ar](mailto:ventas@rosarioseguridad.com.ar)  
 📞 +54 9 341 6708000  
 📞 +54 9 341 6799822

📷 [rosarioseguridadok](#)  
 📺 Rosario Seguridad  
 📘 Rosario Seguridad

Grupo Instaladores

📘 <https://www.facebook.com/groups/591852618012744/>  
 📞 +54 9 341 6591429  
 📞 +54 9 341 4577532

**Avenida Presidente Perón 3998 - Rosario - Santa Fe - Argentina**

# HIKVISION®

### Headquarters

No.555 Qianmo Road, Binjiang District,  
 Hangzhou 310051, China  
 T +86-571-8807-5998  
[overseasbusiness@hikvision.com](mailto:overseasbusiness@hikvision.com)

**Hikvision USA**  
 T +1-909-895-0400  
[sales.usa@hikvision.com](mailto:sales.usa@hikvision.com)

**Hikvision Italy**  
 T +39-0438-6902  
[info.it@hikvision.com](mailto:info.it@hikvision.com)

**Hikvision Singapore**  
 T +65-6684-4718  
[sg@hikvision.com](mailto:sg@hikvision.com)

**Hikvision Africa**  
 T +27 (10) 0351172  
[sale.africa@hikvision.com](mailto:sale.africa@hikvision.com)

**Hikvision Europe**  
 T +31-23-55-42-770  
[info.eu@hikvision.com](mailto:info.eu@hikvision.com)

**Hikvision France**  
 T +33(0)1-85-330-450  
[info.fr@hikvision.com](mailto:info.fr@hikvision.com)

**Hikvision Oceania**  
 T +61-2-8599-4233  
[salesau@hikvision.com](mailto:salesau@hikvision.com)

**Hikvision Hong Kong**  
 T +852-2151-1761

**Hikvision Middle East**  
 T +971-4-8816086  
[salesme@hikvision.com](mailto:salesme@hikvision.com)

**Hikvision Spain**  
 T +34-91-737-16-55  
[info.es@hikvision.com](mailto:info.es@hikvision.com)

**Hikvision Canada**  
 T +1-909-895-0400  
[sales.usa@hikvision.com](mailto:sales.usa@hikvision.com)

**Hikvision Russia**  
 T +7-495-669-67-99  
[saleru@hikvision.com](mailto:saleru@hikvision.com)

**Hikvision Poland**  
 T +48-22-460-01-50  
[poland@hikvision.com](mailto:poland@hikvision.com)

**Hikvision Korea**  
 T +82-31-731-8841  
[sales.korea@hikvision.com](mailto:sales.korea@hikvision.com)

**Hikvision India**  
 T +91-22-28469900  
[sales@pramahikvision.com](mailto:sales@pramahikvision.com)

**Hikvision UK**  
 T +01628-902140  
[support.uk@hikvision.com](mailto:support.uk@hikvision.com)

**Hikvision Brazil**  
 T +55 11 3318-0050  
[Latam.support@hikvision.com](mailto:Latam.support@hikvision.com)