

DS-2CE16H0T-ITPF (C)
Camara tipo Bullet 5 MP



Características principales

- CMOS de alto rendimiento de 5MP
- Resolución de 2560 × 1944
- Lente fija de 2,8 mm
- EXIR2.0, smartIR, hasta 20 m de distancia
- IR Menú OSD, DNR 2D, DWDR
- Salida de vídeo 4 en 1 (TVI/AHD/CVI/CVBS conmutable)
- Protección IP67
- Conexión cable coaxial (HIKVISION-C)

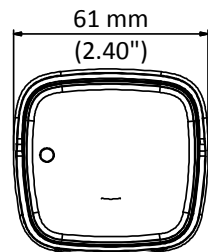
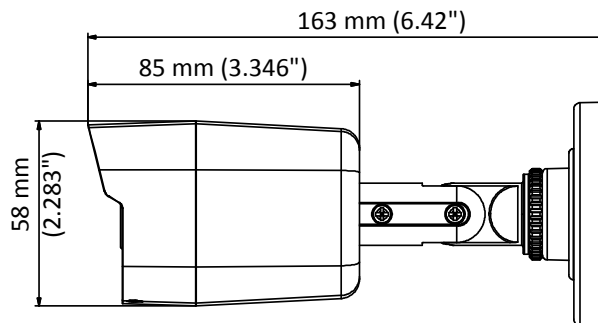
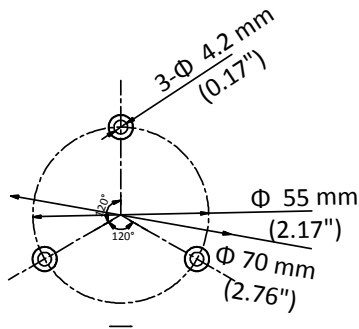
Especificaciones

Camera	
Sensor de Imagen	5 MP CMOS image sensor
Resolucion	2560 (H) × 1944 (V)
Min. Illumination	Color: 0.01 Lux @ (F1.2, AGC ON), 0 Lux with IR
Tiempo obturacion	PAL: 1/25 s to 1/50, 000 s NTSC: 1/30 s to 1/50, 000 s
Lentes	2.8 mm, 3.6 mm, 6 mm fixed lens
Campo de vista horizontal	85.5° (2.8 mm), 80.1° (3.6 mm), 57.1° (6 mm)
Montura del lente	M12
Día & Noche	IR cut filter
Angulo de ajuste	Pan: 0° to 360°; Tilt: 0° to 180°; Rotate: 0° to 360°
Sincronizacion	Internal synchronization
Frame Rate	PAL: 5 MP@20fps, 4 MP@25fps, 1080p@25fps NTSC: 5 MP@20fps, 4 MP@30fps, 1080p@30fps
Menu	
AGC	Support
D/N Mode	Auto/Color/BW (Black and White)
White Balance	ATW/MWB
BLC	Support
DWDR (Digital Wide Dynamic Range)	Support
Language	English
Functions	Brightness, Sharpness, DNR , Mirror, Smart IR
Interface	
Video Output	1 HD analog output
Switch Button	TVI/AHD/CVI/CVBS
General	
Condiciones de operacion	-40 °C to 60 °C (-40 °F to 140 °F), humidity: 90% or less (non-condensation)
Alimentacion	12 VDC ±25%
Consumo	Max. 4.3 W
Nivel de proteccion	IP67
Material	Plastico ultrarresistente
IR Rango	Up to 20 m
Comunicacion	Up the coax, Protocol: HIKVISION-C (TVI output)
Dimensiones	58 mm × 61 mm × 163 mm (2.28" × 2.40" × 6.42")
Peso	Approx. 350 g (0.77 lb.)

Modelo disponible

DS-2CE16H0T-ITPF

Dimensiones



Accesorios



DS-1280ZJ-XS Junction Box

Distributed by

www.rosarioseguridad.com.ar

✉ ventas@rosarioseguridad.com.ar
 📞 +54 9 341 6708000
 📞 +54 9 341 6799822

📷 [rosarioseguridadok](#)
 📺 [Rosario Seguridad](#)
 📘 [Rosario Seguridad](#)

Grupo Instaladores
 🌐 <https://www.facebook.com/groups/591852618012744/>
 📞 +54 9 341 6591429
 📞 +54 9 341 4577532

Avenida Presidente Perón 3998 - Rosario - Santa Fe - Argentina

Headquarters
 No.555 Qianmo Road, Binjiang District,
 Hangzhou 310051, China
 T +86-571-8807-5998
overseasbusiness@hikvision.com

Hikvision USA
 T +1-909-895-0400
sales.usa@hikvision.com

Hikvision Italy
 T +39-0438-6902
info.it@hikvision.com

Hikvision Singapore
 T +65-6684-4718
sg@hikvision.com

Hikvision Africa
 T +27 (10) 0351172
sale.africa@hikvision.com

Hikvision Europe
 T +31-23-55-42-770
info.eu@hikvision.com

Hikvision France
 T +33(0)1-85-330-450
info.fr@hikvision.com

Hikvision Oceania
 T +61-2-8599-4233
salesau@hikvision.com

Hikvision Hong Kong
 T +852-2151-1761

Hikvision Middle East
 T +971-4-8816086
salesme@hikvision.com

Hikvision Spain
 T +34-91-737-16-55
info.es@hikvision.com

Hikvision Canada
 T +1-909-895-0400
sales.usa@hikvision.com

Hikvision Russia
 T +7-495-669-67-99
saleru@hikvision.com

Hikvision Poland
 T +48-22-460-01-50
poland@hikvision.com

Hikvision Korea
 T +82-31-731-8841
sales.korea@hikvision.com

Hikvision India
 T +91-22-28469900
sales@pramahikvision.com

Hikvision UK
 T +01628-902140
support.uk@hikvision.com

Hikvision Brazil
 T +55 11 3318-0050
Latam.support@hikvision.com