

Referencias del diagrama

1 Apariencia

- 1. Interruptor de sabotaje 2. Interruptor de modo
3. Interruptor de encendido
4. Indicador
Alarma:
Enmascarado:
IR pasivo activado:
Fallo:

2 Registro

3 Instalación

- I. Comprobar la intensidad de la señal.
II. Instalar el dispositivo.

Montaje en el techo

Montaje en la pared

Montaje con una placa de montaje general.

Montaje con una placa de monte en L.

4 Alarma antienmascaramiento

Manual de usuario

Escanee el código QR para obtener más información y ayuda sobre el funcionamiento.

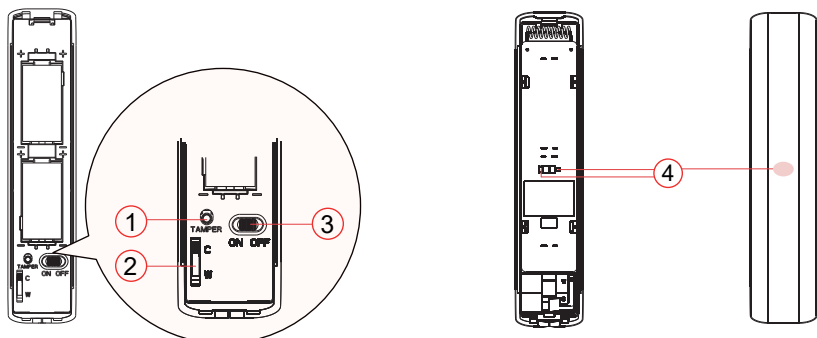
Especificación

Table with 2 columns: Specification (Alcance de detección, Sensibilidad automática, etc.) and Value (Monta en pared: 10 m, Monta en techo: 5 m, etc.)

Nota: La aparición del mensaje de baja tensión indica que restan al menos 30 días de uso.

©2022 Hangzhou Hikvision Digital Technology Co., Ltd. All rights reserved. Este manual incluye instrucciones de instalación y gestión del producto. Este manual incluye instrucciones de instalación y gestión del producto. Este manual incluye instrucciones de instalación y gestión del producto.

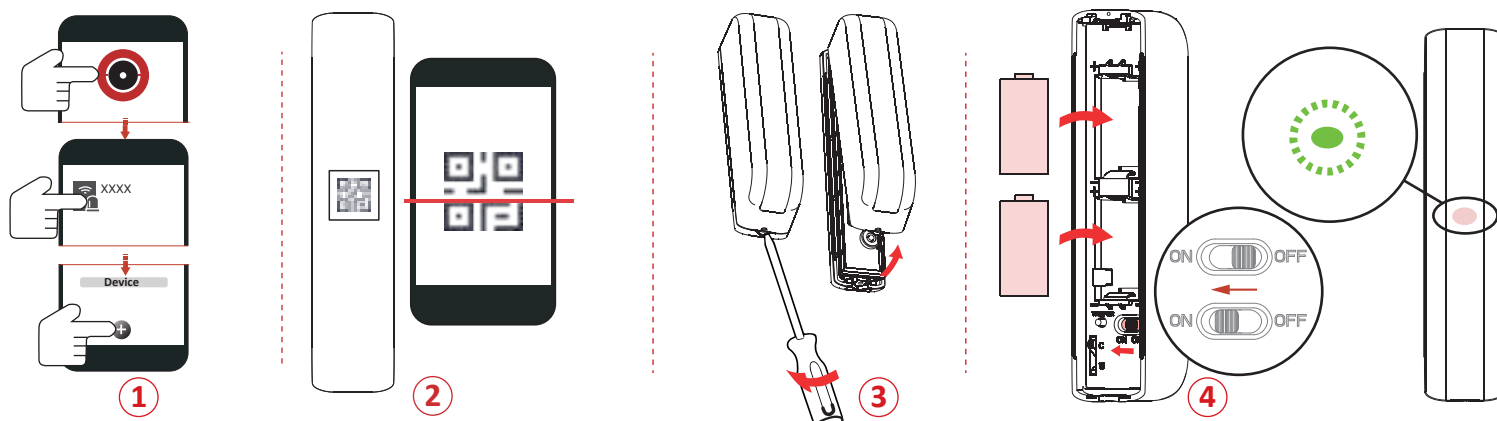
1



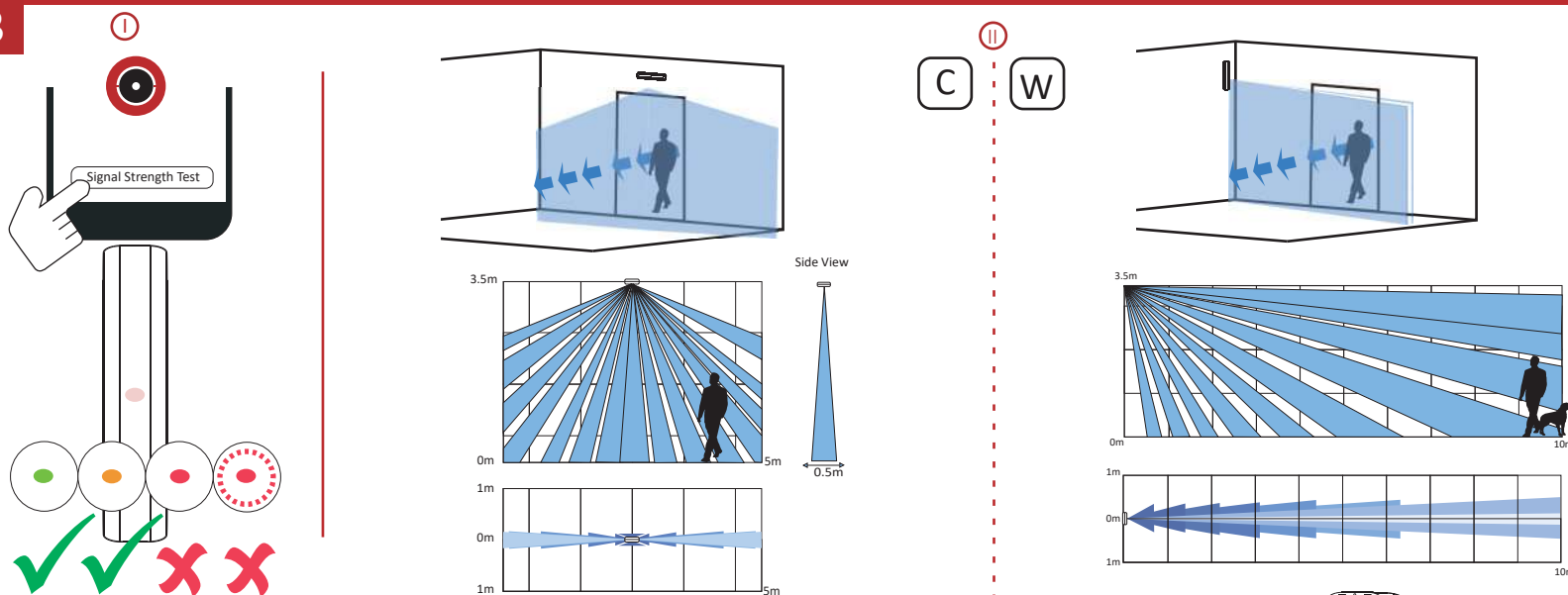
User Manual



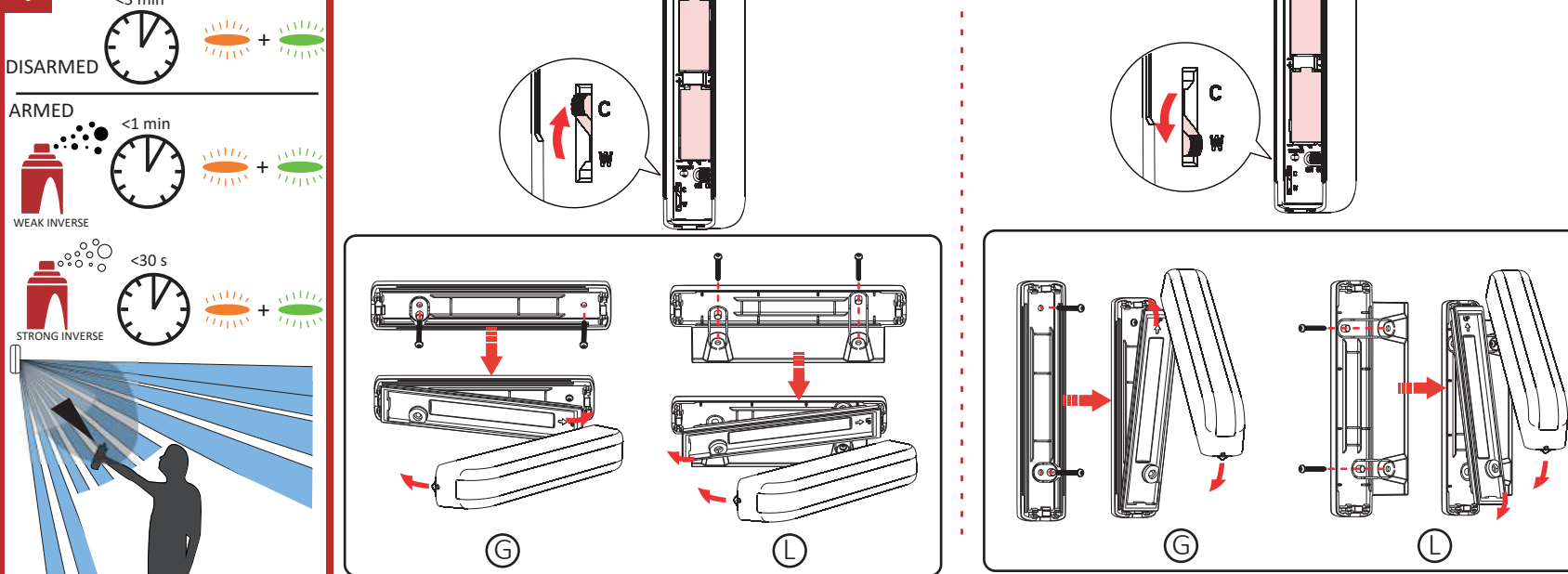
2



3



4



©2022 Hangzhou Hikvision Digital Technology Co., Ltd. All rights reserved. The Manual includes instructions for using and managing the Product. Pictures, charts, images and all other information hereinafter are for description and explanation only. The information contained in the Manual is subject to change, without notice, due to firmware updates or other reasons.

CE This product and - if applicable - the supplied accessories too are marked with "CE" and comply therefore with the applicable harmonized European standards listed under the RE Directive 2014/53/EU, the EMC Directive 2014/30/EU, the RoHS Directive 2011/65/EU, 2012/19/EU (WEEE directive). Products marked with this symbol cannot be disposed of as unsorted municipal waste in the European Union.

BATTERY CAUTION replacement of a battery with an incorrect type that can defeat a safeguard (for example, in the case of some lithium battery types): - disposal of a battery into fire or a hot oven, or mechanically crushing or cutting of a battery, that can result in an explosion; - leaving a battery in an extremely high temperature surrounding environment that can result in an explosion or the leakage of flammable liquid or gas; and - a battery subjected to extremely low air pressure that may result in an explosion or the leakage of flammable liquid or gas.

INSTALLATION CAUTION The additional force shall be equal to three times the weight of the equipment but not less than 50N. The equipment and its associated mounting means shall remain secure during the installation. After the installation, the equipment, including any associated mounting plate, shall not be damaged.

FCC Information Please take attention that changes or modification not expressly approved by the party responsible for compliance could void the user's authority to operate the equipment. FCC Compliance: This equipment has been tested and found to comply with the limits for a Class B digital device, pursuant to part 15 of the FCC Rules. These limits are designed to provide reasonable protection against harmful interference in a residential installation.

DS-PDC10AM-EG2-WB Wireless PIR AM Curtain Detector User Manual

