

DS-2TD2137-35/P
Cámara Termal de Red tipo Bullet

DeepinView^{series}



Cámara Bullet de red térmica Hikvision DS-2TD2137-35 / P equipada con GPU incorporada que admite algoritmos de análisis de comportamiento inteligente, puede realizar detección analítica VCA de alta precisión y alarma en tiempo real. Se aplica a la protección perimetral y con fines de prevención de incendios en infraestructuras críticas como parque solar, subestación, aeropuerto, sitio de reciclaje, almacenes, etc. El sistema de prealarma lo ayuda a descubrir eventos inesperados de inmediato y lo protege de la pérdida de propiedad.

Funciones clave

- Función de análisis de comportamiento, basada en un algoritmo de aprendizaje profundo: cruce de línea, intrusión, entrada y salida de región
- Alarma de excepción de temperatura para la prevención de incendios
- Algoritmo de detección de incendios
- 384 × 288 resolución 17µm, VOx UFPA, NETD ≤ 35mk (25 ° C, F # = 1.0)
- Tecnología de procesamiento de imágenes: trazador de líneas, histograma y modo AGC térmico autoadaptativo, DDE, 3D DNR



Especificaciones

Thermal Module	
Image Sensor	Vanadium Oxide Uncooled Focal Plane Arrays
Resolution	384 × 288
Pixel Interval	17 μm
Response Waveband	8 μm to 14 μm
NETD (Noise Equivalent Temperature Difference)	≤ 35 mk (25 °C, F#=1.0)
Focal Length	35 mm
IFOV	0.49 mrad
Field of View	10.7° × 8° (H × V)
Min. Focusing Distance	30 m
Aperture	F 1.0
Digital Zoom	×2, ×4, ×8
Image Effect	
Target Coloration	Yes. Supported in white hot and black hot mode.
Smart Function	
VCA (Video Content Analysis)	4 VCA rule types (Line Crossing, Intrusion, Region Entrance, and Region Exiting), up to 8 VCA rules.
Temperature Measurement	3 temperature measurement rule types, 21 rules in total (10 points, 10 areas, and 1 line).
Temperature Range	-20 °C to 150 °C (-4 °F to 302 °F)
Temperature Accuracy	±8 °C (14.4 °F)
Fire detection	Dynamic fire detection, up to 10 fire points detectable.
Video & Audio	
Main Stream	25 fps (1280 × 720, 704 × 576, 352 × 288, 384 × 288)
Sub Stream	25 fps (704 × 576, 352 × 288, 384 × 288)
Third Stream	25 fps (1280 × 720, 704 × 576, 352 × 288, 384 × 288)
Video Compression	Main Stream: H.265/H.264 Sub-Stream: H.265/H.264/MJPEG Third Stream: H.265/H.264/MJPEG
Audio Compression	G.711u/G.711a/G.722.1/MP2L2/G.726/PCM
Network	
Protocols	IPv4/IPv6, HTTP, HTTPS, 802.1x, Qos, FTP, SMTP, UPnP, SNMP, DNS, DDNS, NTP, RTSP, RTCP, RTP, TCP, UDP, IGMP, ICMP, DHCP, PPPoE
Network Storage	MicroSD/SDHC/SDXC card (up to 256 G) local storage, and NAS (NFS, SMB/CIFS), auto network replenishment (ANR)
API	ISAPI, HIKVISION SDK, third-party management platform, ONVIF (Profile S, Profile G, Profile T)
Simultaneous Live View	Up to 20 channels
User/Host level	Up to 32 users, 3 levels: Administrator, Operator, User

Security	User authentication (ID and PW), MAC address binding, HTTPS encryption, IEEE 802.1x(EAP-MD5, EAP-TLS), access control, IP address filtering
Client	iVMS-4200, Hik-Connect
Web Browser	Live view (plug-in allowed) : Internet Explorer 11 Live view (plug-in free) : Chrome 57.0 +, Firefox 52.0 + Local service : Chrome 57.0+, Firefox 52.0 +
Interface	
Alarm Input	2-ch inputs (0-5 VDC)
Alarm Output	2-ch relay outputs, alarm response actions configurable
Alarm Action	SD Card Record/Relay Output/Smart capture/FTP upload/Email linkage
Audio Input	1, 3.5 mm Mic in/Line in interface Line input: 2-2.4 V[p-p], output impedance: 1 K Ω \pm 10%
Audio Output	Linear Level, Impedance: 600 Ω
Communication Interface	1, RJ45 10 M/100 M Self-adaptive Ethernet interface 1, RS-485 interface
General	
Menu Language	32 languages English, Russian, Estonian, Bulgarian, Hungarian, Greek, German, Italian, Czech, Slovak, French, Polish, Dutch, Portuguese, Spanish, Romanian, Danish, Swedish, Norwegian, Finnish, Croatian, Slovenian, Serbian, Turkish, Korean, Traditional Chinese, Thai, Vietnamese, Japanese, Latvian, Lithuanian, Portuguese (Brazil)
Power	24 VAC \pm 25%, 12 VDC \pm 25%, two-core terminal block PoE (802.3af, class 3)
Power Consumption	18 VAC to 30 VAC: 0.13 A to 0.22 A, max 5 w 9 VDC to 15 VDC: 0.37 A to 0.61 A, max 5 w PoE (802.3af, class 3): 44 V to 57 V: 0.1 A to 0.13 A, max. 5.5 w
Working Temperature/Humidity	Temperature: -40 $^{\circ}$ C to 65 $^{\circ}$ C (-40 $^{\circ}$ F to 149 $^{\circ}$ F) Humidity: 90% or less
Protection Level	IP66 Standard TVS 6000V Lightning protection, surge protection, voltage transient protection
Dimension	358.3 mm \times 113.5 mm \times 115.2 mm (14.10" \times 4.47" \times 4.53")
Weight	Approx. 1.77 kg (3.90 lb)

DRI Range Table

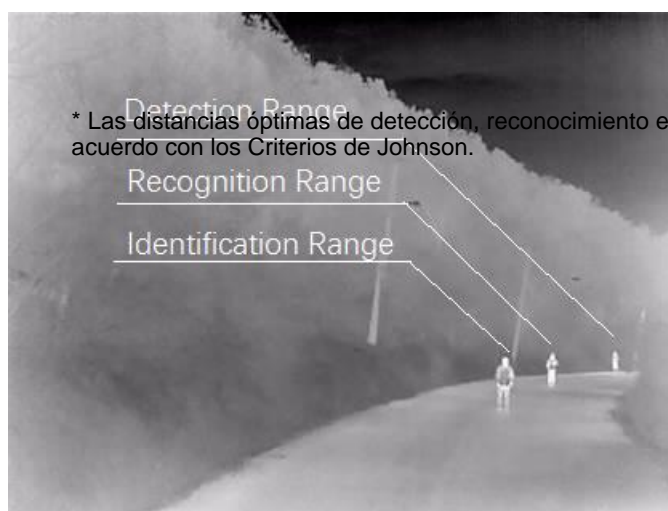
* The table is only for reference and the performance may vary according to different environment.

* The optimal human detection, recognition, and identification distances are calculated according to Johnson's Criteria.

Rango de detección: para distinguir un objeto del fondo, el objeto debe estar cubierto por 1,5 píxeles o más.

Rango de reconocimiento: para clasificar el objeto (animal, humano, vehículo, etc.), el objeto debe estar cubierto por 6 píxeles o más.

Rango de identificación: para identificar el objeto y describirlo en detalle, el objeto debe estar cubierto por 12 píxeles o más.



Detection Range (Vehicles: 1.4×4.0m)	Detection Range (Humans: 1.8×0.5m)	Recognition Range (Vehicles: 1.4×4.0m)	Recognition Range (Humans: 1.8×0.5m)	Identification Range (Vehicles: 1.4×4.0m)	Identification Range (Humans: 1.8×0.5m)
3157 m	1029 m	789 m	257 m	395 m	129 m

Smart Function Table

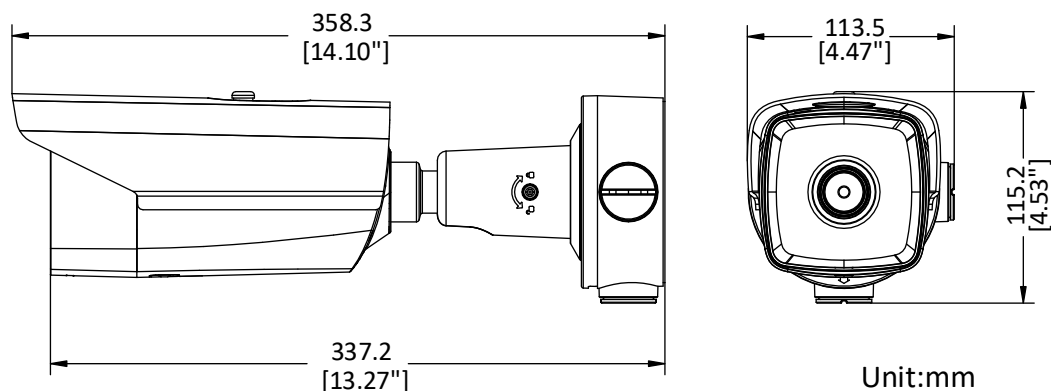
* The table is only for reference and the performance may vary according to different environment.

VCA Range (Vehicles: 1.4×4.0m)	VCA Range (Humans: 1.8×0.5m)	Temperature Measurement (Object:2×2 m)	Temperature measurement (Object:1×1 m)	Fire Detection (Object:2×2 m)	Fire Detection (Object:1×1 m)
721 m	257 m	819 m	413 m	2058 m	1029 m

Available Model

DS-2TD2137-35/P

Dimension



▪ Accessory



DS-1275ZJ-S-SUS
Vertical Pole Mount



DS-1276ZJ-SUS
Corner Mount

AVISO DE CUMPLIMIENTO: Los productos de la serie térmica pueden estar sujetos a controles de exportación en varios países o regiones, incluidos, entre otros, los Estados Unidos, la Unión Europea, el Reino Unido y otros países miembros del Acuerdo de Wassenaar. Consulte a su experto legal o experto en cumplimiento, o autoridades del gobierno local para cualquier requisito de licencia de exportación necesario si tiene la intención de transferir, exportar o reexportar los productos de la serie térmica entre diferentes países.

Distributed by



HIKVISION®

Headquarters

No.555 Qianmo Road, Binjiang District,
Hangzhou 310051, China
T +86-571-8807-5998
overseasbusiness@hikvision.com

Hikvision USA
T +1-909-895-0400
sales.usa@hikvision.com

Hikvision Australia
T +61-2-8599-4233
salesau@hikvision.com

Hikvision India
T +91-22-28469900
sales@pramahikvision.com

Hikvision Canada
T +1-866-200-6690
sales.canada@hikvision.com

Hikvision Thailand
T +662-275-9949
sales.thailand@hikvision.com

Hikvision Europe
T +31-23-5542770
sales.eu@hikvision.com

Hikvision Italy
T +39-0438-6902
info.it@hikvision.com

Hikvision Brazil
T +55 11 3318-0050
Latam.support@hikvision.com

Hikvision Turkey
T +90 [216]521 7070- 7074
sales.tr@hikvision.com

Hikvision Malaysia
T +601-7652-2413
sales.my@hikvision.com

Hikvision UK & Ireland
T +01628-902140
sales.uk@hikvision.com

Hikvision South Africa
Tel: +27 (10) 0351172
sale.africa@hikvision.com

Hikvision France
T +33(0)1-85-330-450
info.fr@hikvision.com

Hikvision Kazakhstan
T +7-727-9730667
nikia.panfilov@hikvision.ru

Hikvision Vietnam
T +84-974270888
sales.vt@hikvision.com

Hikvision UAE
T +971-4-4432090
salesme@hikvision.com

Hikvision Singapore
T +65-6684-4718
sg@hikvision.com

Hikvision Spain
T +34-91-737-16-55
info.es@hikvision.com

Hikvision Tashkent
T +99-87-1238-9438
uzb@hikvision.ru

Hikvision Hong Kong
T +852-2151-1761
info.hk@hikvision.com

Hikvision Russia
T +7-495-669-67-99
saleru@hikvision.com

Hikvision Korea
T +82-(0)31-731-8817
sales.korea@hikvision.com

Hikvision Poland
T +48-22-460-01-50
info.pl@hikvision.com

Hikvision Indonesia
T +62-21-2933759
Sales.Indonesia@hikvision.com

Hikvision Colombia
sales.colombia@hikvision.com